

Update Orange5 V1.40(r1)

RH850.pdf
Version 4.3

Update RH850V4.3

Приклад завантаження і встановлення ліцензії
S/N 0501-0000-1111-2222-3333-4444-5555-7777

This is example how download & install the software from the ftp with
S/N 0501-0000-1111-2222-3333-4444-5555-7777

Посилання лише приклад, використовуйте ваш номер!

<https://pavelpervomaysk.com/files/RH850V4/5555-7777.rar>

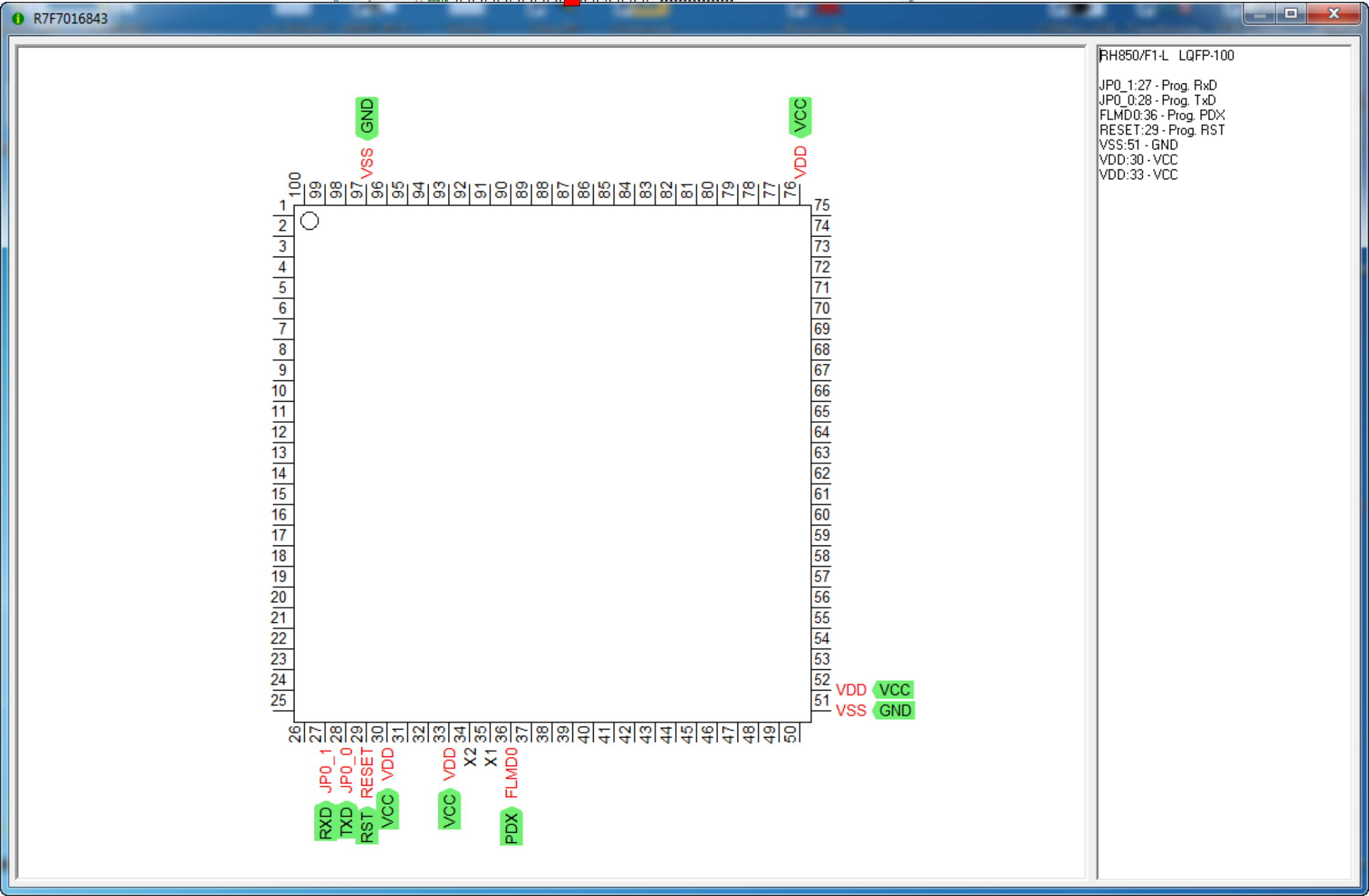
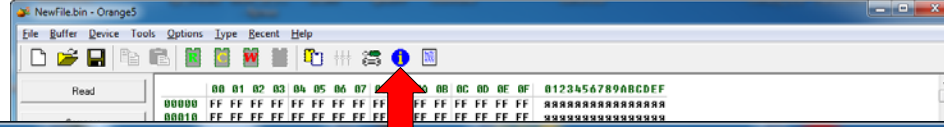
WinRar pass: 0501-0000-1111-2222-3333-4444-5555-7777

Схеми підключення: <https://pavelpervomaysk.com/files/RH850V4/RH850.rar>

The screenshot displays the Orange5 software interface. The main window shows a memory dump with columns for addresses (0000 to 0038) and data (FFFF). A 'System Info' dialog box is open in the foreground, showing the following details:

- Hardware: Orange5
- Port Speed: FW:2.DD DRV=3
- OS Type: Windows XP Pro
- Counter: 685:301
- S/N: 0501-0000-1111-2222-3333-4444-5555-7777 (highlighted with a red box)
- License: MTRK TMS M08V

The dialog box has an 'OK' button at the bottom.



Read & save Data-Flash area per 16 bytes!

The screenshot displays the Orange5 software interface. On the left, a vertical toolbar contains buttons for Read, Compare, Write, Erase, OCD, Set Lock, Blank Check Area, CRC32 Area, and DW.blank. The main window shows a memory dump with columns for address (00 to 0F), hex values, and ASCII characters. A red arrow points to the 'R' button in the toolbar. A watermark for 'pavel.pervomaysk.com' is overlaid on the memory dump. On the right, a 'Log' window displays the following text:

```
Log
Read Data Flash R7F7016843
Renesas RH850 V4.3
pavel-pervomaysk & Alex+.
Connecting Interface: 2 wire UART
Device Code: 1001FF4004282C00
Max.ext.osc: 24000 kHz
Int.osc.: 8000 kHz
Core freq.: 120 MHz
Main Clock: 16000 kHz

Security Status Register: [FF]
Block Erase: Ok
Program: Ok.
Read: Ok.

OCD Security inactive.
SS: 3A 52 37 46 37 30 31 36 38 34 20 20 20 20 2
Device: R7F701684
Code-Flash1 size: 1024 kB
Data-Flash size: 64 kB
ICU Data Area Inactive.
Fw: 050400
RH850/F1K core detected
Reading Data-Flash [FF200000 - FF20FFFF]
```

At the bottom of the interface, the status bar shows 'Type: Renesas RH850 V4.3 R7F7016843 (64 Kx 8) Renesas RH850 series R7F701xxx. V4.3'. The bottom right corner features a 'Data Flash' dropdown menu set to 'Data Flash' and a 'Read' button with '200000' and 'NUM' fields.

WRITE Data-Flash area per 4 bytes!

Only for F1K & D1 series!

The screenshot shows the Orange5 software interface with a memory dump window. A red arrow points to the 'W' icon in the toolbar, indicating the write operation. A warning dialog box is displayed in the foreground, warning of the risk of erasing or writing the Data-Flash area. The dialog box contains the following text:

Warning RH850/F1K detected!
There is a risk of Erasing or Writing this area!
The process is irreversible!
I'm advanced, continue.

The dialog box has 'OK' and 'Отмена' buttons. A red arrow points to the 'OK' button.

The memory dump shows the following data:

Address	00	01	02	03	04	05	06	07	08	09	0A	0B	0C	0D	0E	0F	Hex	ASCII
00000	EB	EB	EB	EB	55	55	55	55	55	55	55	55	55	55	55	55	AAAAAAAAAAAAAAAA	
00010	44	00	00	88	98	D8	00	8F	55	55	55	55	55	55	55	55	D...»W.UUUUUUUUU	
00020	55	55	55	55	0E	00	F8	07	55	55	55	55	55	55	55	55	UUUU...ш.UUUUUUUUU	
00030	55	55	55	55	1A	00	FC	06	55	55	55	55	55	55	55	55	UUUU...ь.UUUUUUUUU	
00040	55	55	55	55	0E	00	98	06	55	55	55	55	55	55	55	55	UUUU... .UUUUUUUUU	
00050	55	55	55	55	17	00	9C	05	55	55	55	55	55	55	55	55	UUUU...ь.UUUUUUUUU	
00060	55	55	55	55	18	00	E4	04	55	55	55	55	55	55	55	55	UUUU...д.UUUUUUUUU	
00070	55	55	55	55	19	00	2C	04	55	55	55	55	55	55	55	55	UUUU...,.UUUUUUUUU	
00080	55	55	55	55	0E	00	68	03	55	55	55	55	55	55	55	55	UUUU...h.UUUUUUUUU	
00090	55	55	55	55	0E	00	6C	02	55	55	55	55	55	55	55	55	UUUU...l.UUUUUUUUU	
000A0	55	55	55	55	17	00	70	01	EB	EB	EB	EB	EB	EB	EB	EB	UUUU...р.АААААААА	
000B0	EB	EB	EB	EB	EB	EB	EB	EB	EB	EB	EB	EB	EB	EB	EB	EB	яя	
000C0	00	01	00	0C	00	01	00	00	00	00	00	00	00	00	00	00	у.	
000D0	49	01	60	02	00	01	00	00	00	00	00	00	00	00	00	00	--	
000E0	00	00	75	04	49	01	00	00	00	00	00	00	00	00	00	00	.3	
000F0	0A	00	03	1C	00	01	00	00	00	00	00	00	00	00	00	00	..	
00100	00	00	00	C7	09	01	00	00	00	00	00	00	00	00	00	00	\.	
00110	00	01	00	0C	00	01	00	00	00	00	00	00	00	00	00	00	у.	
00120	49	01	5B	02	00	01	00	00	00	00	00	00	00	00	00	00	..	
00130	00	00	FF	FF	49	01	00	00	00	00	00	00	00	00	00	00	.N	
00140	13	00	03	1C	00	01	00	00	00	00	00	00	00	00	00	00	..	
00150	00	00	00	B9	08	01	00	00	00	00	00	00	00	00	00	00	h.	
00160	00	01	00	0C	00	01	00	00	00	00	00	00	00	00	00	00	яя	
00170	B6	00	67	02	FF	FF	00	00	00	00	00	00	00	00	00	00	яя	
00180	FF	FF	FF	FF	02	61	00	00	00	00	00	00	00	00	00	00	..	
00190	00	00	00	00	00	01	00	00	00	00	00	00	00	00	00	00	..	
001A0	00	00	00	00	00	FD	EF	FA	00	00	00	00	49	01	00	00эпъ...I...
001B0	00	01	00	0C	00	00	00	9F	07	00	03	1C	00	00	FF	FFу...яя
001C0	81	01	66	02	01	01	00	02	00	00	00	4D	0B	00	01	41	f.f.....M..A	
001D0	00	00	75	04	81	01	5E	02	01	01	00	02	00	00	00	50	..у.ф.^.....P	
001E0	16	00	01	39	00	00	75	04	00	00	64	02	00	00	00	00	..9..у...d....	
001F0	06	07	08	00	02	12	04	05	0D	0E	0F	10	0A	0B	03	0C
00200	2C	2F	11	09	50	2F	2C	2C	50	2C	50	2C	2C	2C	2C	2C	,/.P/,.,P,P,,,,,	

The status bar at the bottom shows: Type: Renesas RH850 V4.3 R7F7016843 (64 Kx 8) Renesas RH850 series R7F701xxx. V4.3

The bottom right corner shows: vcc 3.75V Data Flash

The bottom left corner shows: Write...

The bottom right corner shows: 20000D8 NUM

Set frequency error!

range 4000 – 24000kHz

Read Code Flash R7F7016843
Renesas RH850 V4. Date 09.08.2023
pavel-pervomaysk & Alex+.
Connecting
Freq. 8000 kHz
Set Frequency Error!

Orange

Current Freq. 8000 kHz
Set Frequency Error!
Please chose valid frequency.
OK

Device Options

Module Name: RH850.hpx
Voltage: 3.75 V
Area: Code Flash
Reset time (ms): 5000
OSC (kHz): 16000
Boot Baudrate: 9600

	00	01	02	03	04	05	06	07	08	09	0A	0B	0C	0D	0E	0F	0123456789ABCDEF
00000	00	00	00	00	00	00	00	00	00	00	00	00	00	00	00	00
00010	00	00	00	00	00	00	00	00	00	00	00	00	00	00	00	00
00020	00	00	00	00	00	00	00	00	00	00	00	00	00	00	00	00
00030	00	00	00	00	00	00	00	00	00	00	00	00	00	00	00	00
00040	00	00	00	00	00	00	00	00	00	00	00	00	00	00	00	00
00050	00	00	00	00	00	00	00	00	00	00	00	00	00	00	00	00
00060	00	00	00	00	00	00	00	00	00	00	00	00	00	00	00	00
00070	00	00	00	00	00	00	00	00	00	00	00	00	00	00	00	00
00080	00	00	00	00	00	00	00	00	00	00	00	00	00	00	00	00
00090	00	00	00	00	00	00	00	00	00	00	00	00	00	00	00	00
000A0	00	00	00	00	00	00	00	00	00	00	00	00	00	00	00	00
000B0	00	00	00	00	00	00	00	00	00	00	00	00	00	00	00	00
000C0	00	00	00	00	00	00	00	00	00	00	00	00	00	00	00	00
000D0	00	00	00	00	00	00	00	00	00	00	00	00	00	00	00	00
000E0	00	00	00	00	00	00	00	00	00	00	00	00	00	00	00	00
000F0	00	00	00	00	00	00	00	00	00	00	00	00	00	00	00	00
00100	00	00	00	00	00	00	00	00	00	00	00	00	00	00	00	00
00110	00	00	00	00	00	00	00	00	00	00	00	00	00	00	00	00
00120	00	00	00	00	00	00	00	00	00	00	00	00	00	00	00	00
00130	00	00	00	00	00	00	00	00	00	00	00	00	00	00	00	00
00140	00	00	00	00	00	00	00	00	00	00	00	00	00	00	00	00
00150	00	00	00	00	00	00	00	00	00	00	00	00	00	00	00	00
00160	00	00	00	00	00	00	00	00	00	00	00	00	00	00	00	00
00170	00	00	00	00	00	00	00	00	00	00	00	00	00	00	00	00
00180	00	00	00	00	00	00	00	00	00	00	00	00	00	00	00	00
00190	00	00	00	00	00	00	00	00	00	00	00	00	00	00	00	00
001A0	00	00	00	00	00	00	00	00	00	00	00	00	00	00	00	00
001B0	00	00	00	00	00	00	00	00	00	00	00	00	00	00	00	00
001C0	00	00	00	00	00	00	00	00	00	00	00	00	00	00	00	00
001D0	00	00	00	00	00	00	00	00	00	00	00	00	00	00	00	00
001E0	00	00	00	00	00	00	00	00	00	00	00	00	00	00	00	00
001F0	00	00	00	00	00	00	00	00	00	00	00	00	00	00	00	00
00200	00	00	00	00	00	00	00	00	00	00	00	00	00	00	00	00

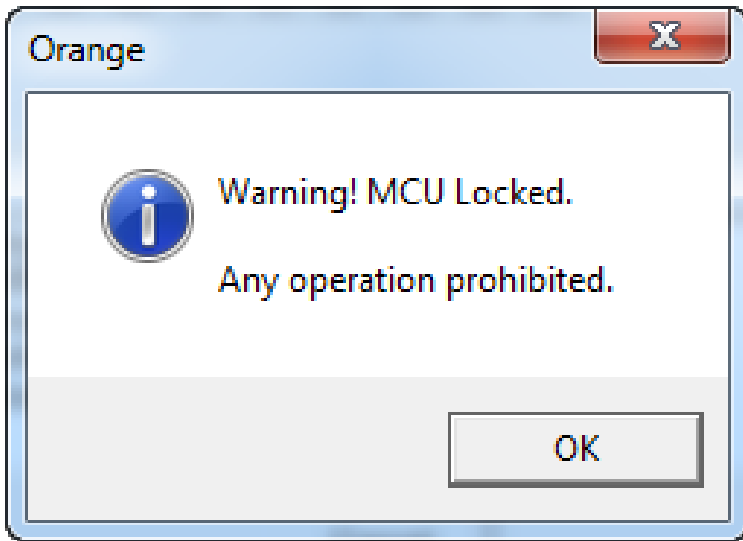
Type: Renesas RH850 v4 R7F7016843 (1 Mx 8) Renesas RH850 series R7F701xxx. V4

vcc 3.75V Code Flash

Read... 000000 NUM

<http://pavelpervomayskiy.com>

Select OCD Security

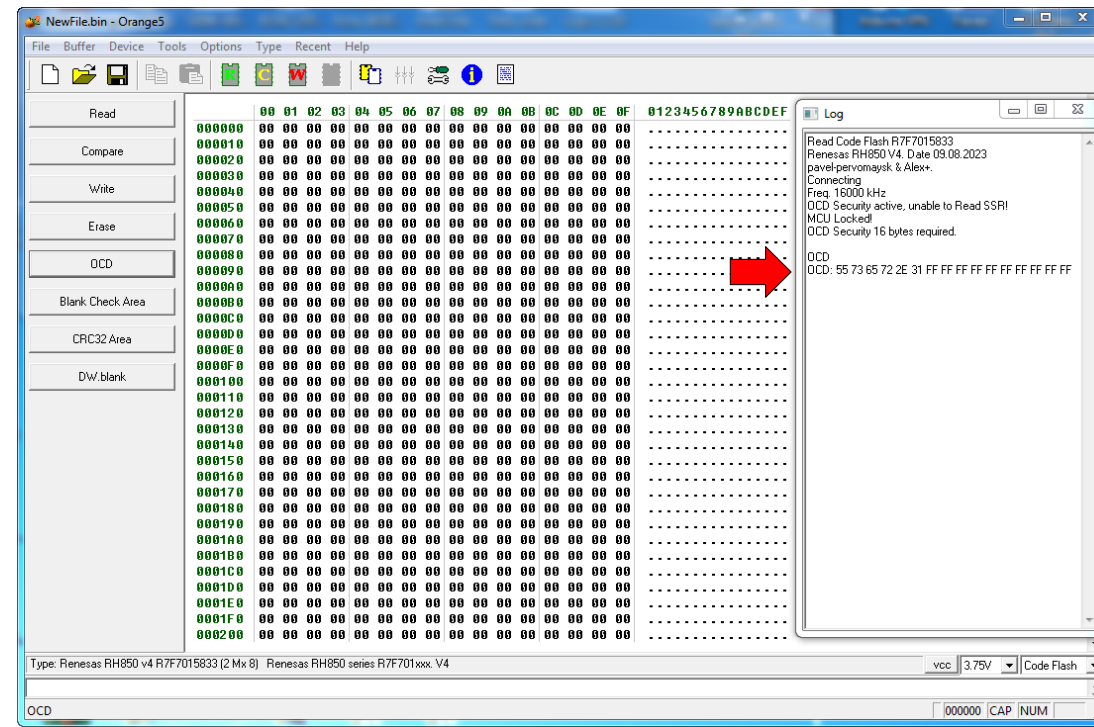
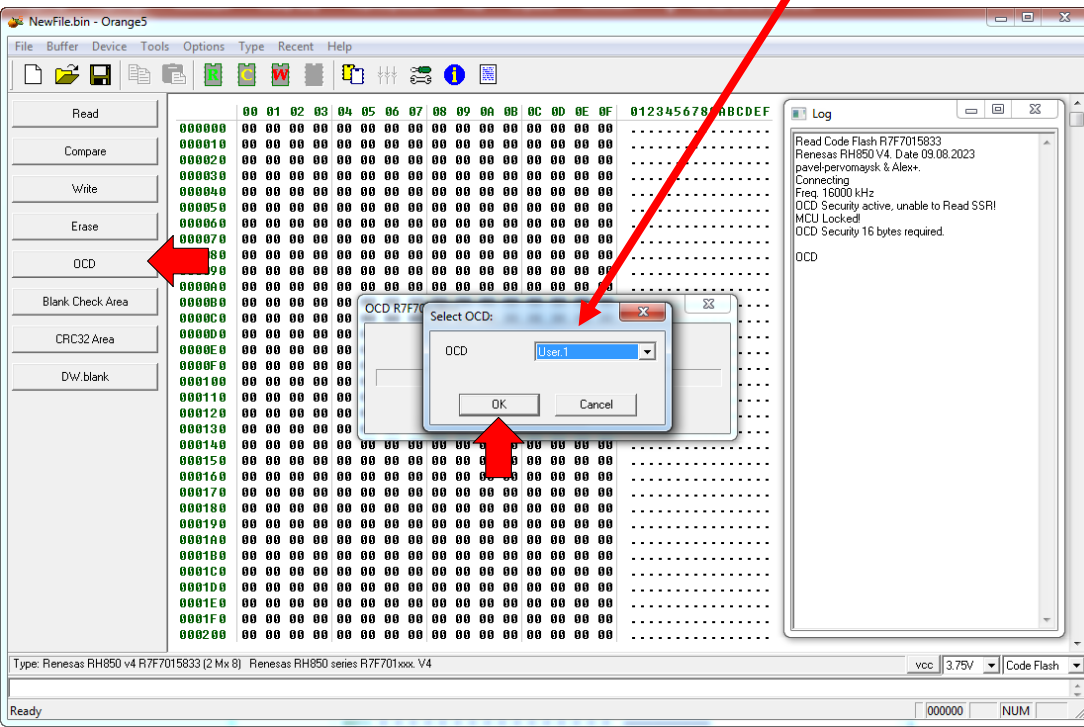


HPL folder

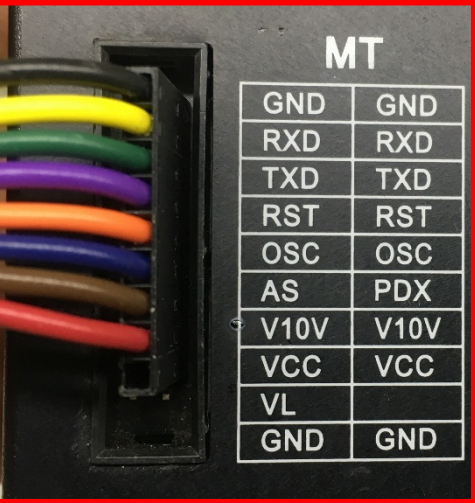


Open OCD.bin Fix & save.

```
00 01 02 03 04 05 06 07 08 09 0A 0B 0C 0D 0E 0F 0123456789ABCDEF
00000 FF FF FF FF FF FF FF FF FF FF FF FF FF FF FF FF FF FF FF FF FF FF
00010 42 45 53 54 50 52 4F 4A 45 43 54 45 56 45 52 21 BESTPROJECTEVEU?
00020 55 73 65 72 2E 31 FF FF FF FF FF FF FF FF FF FF FF User .1яяяяяяяяяя
00030 55 73 65 72 2E 32 FF FF FF FF FF FF FF FF FF FF FF User .2яяяяяяяяяя
00040 55 73 65 72 2E 33 FF FF FF FF FF FF FF FF FF FF FF User .3яяяяяяяяяя
00050 55 73 65 72 2E 34 FF FF FF FF FF FF FF FF FF FF FF User .4яяяяяяяяяя
00060 55 73 65 72 2E 35 FF FF FF FF FF FF FF FF FF FF FF User .5яяяяяяяяяя
```



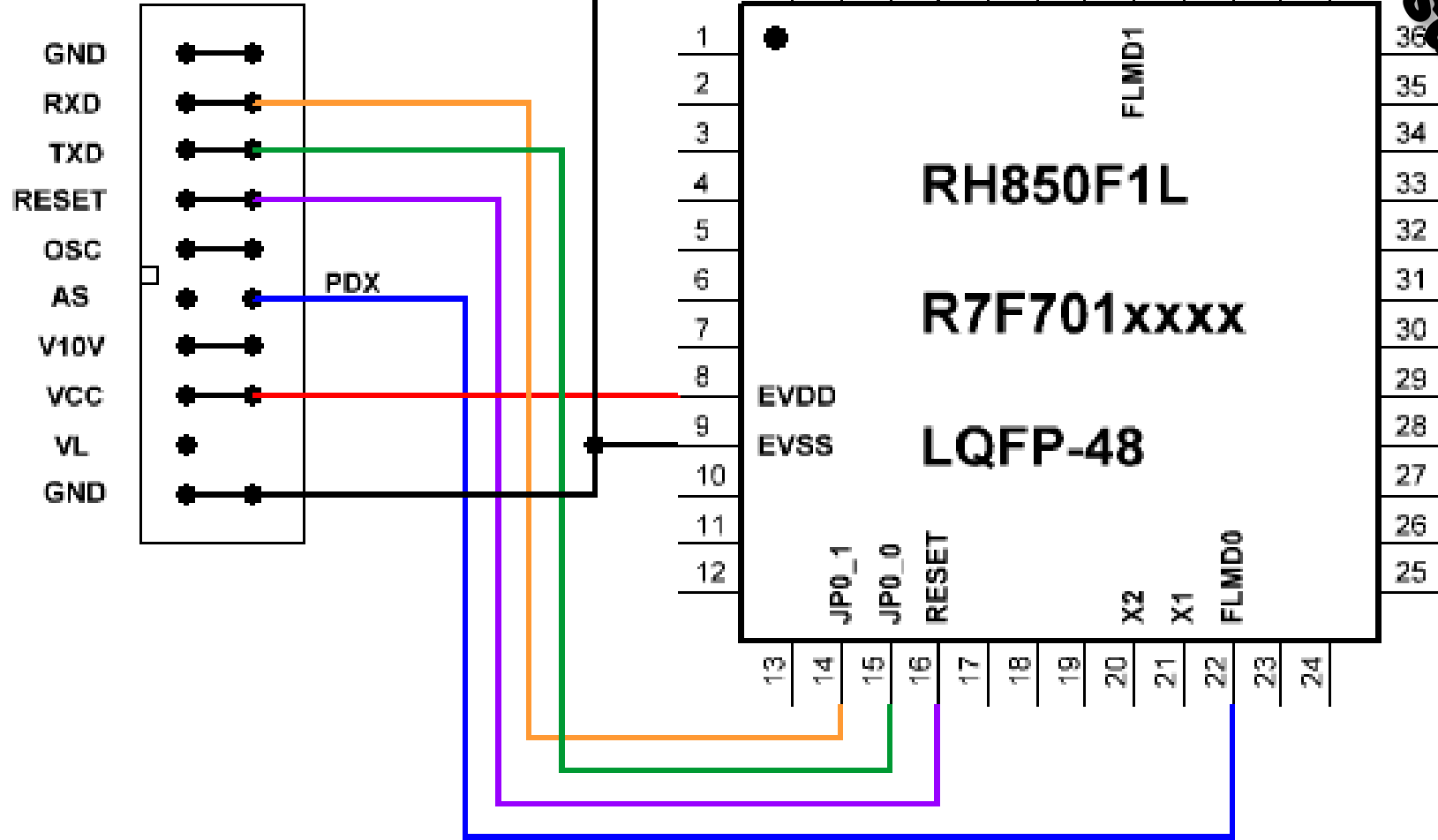
Connect MCU via UART RH850.hpx V4.3



<https://pavelpervomaysk.com>

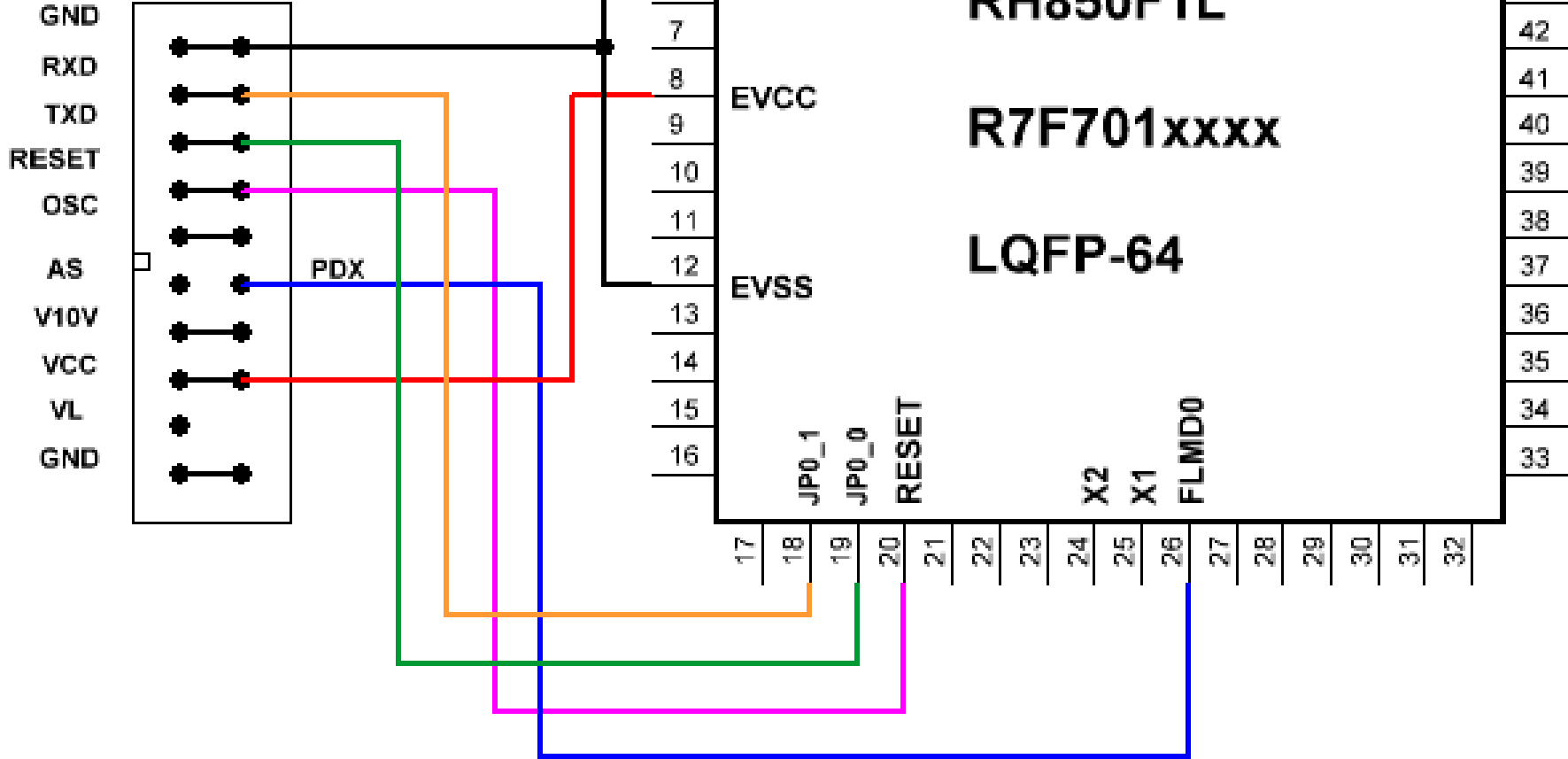


MT



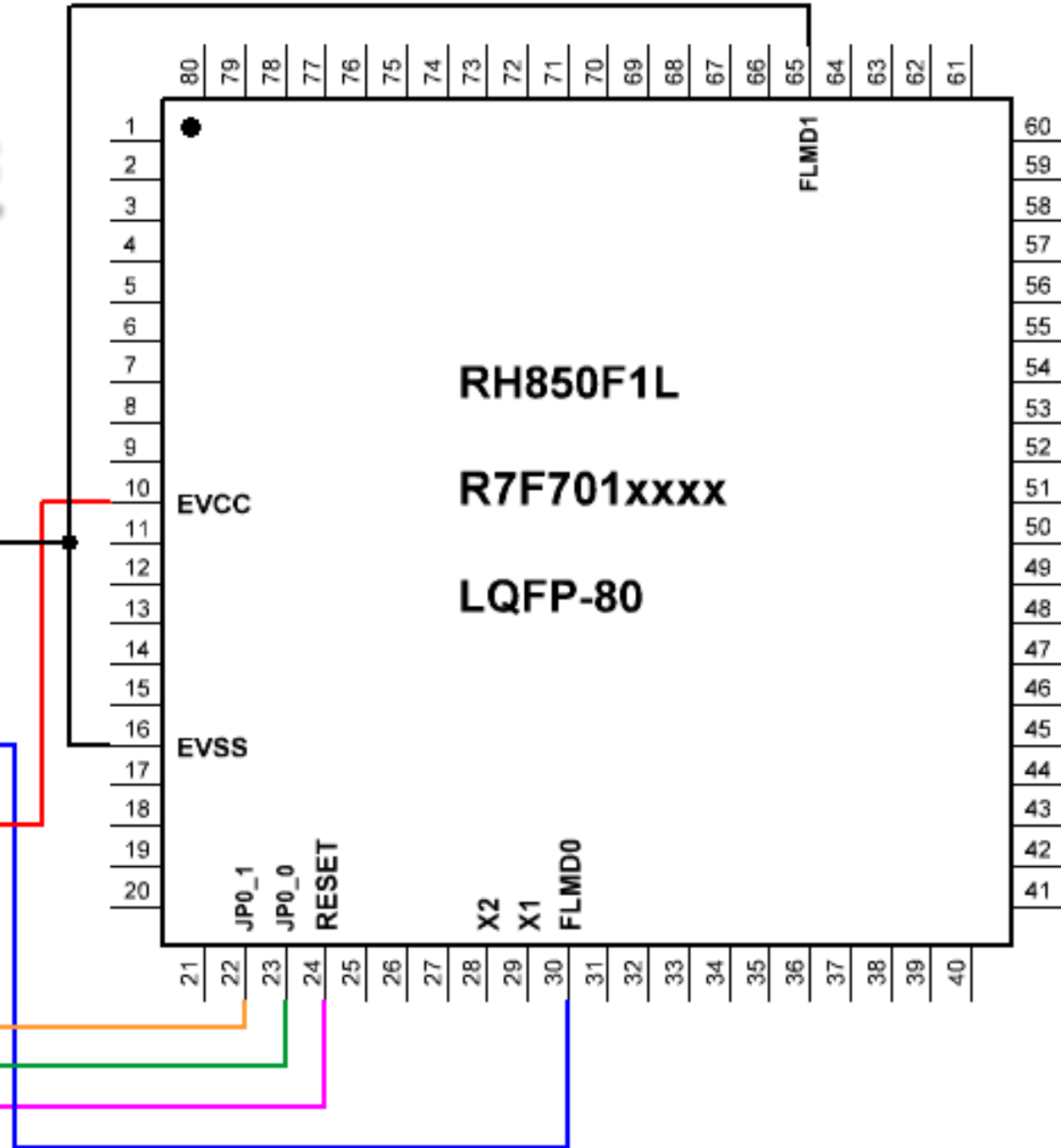
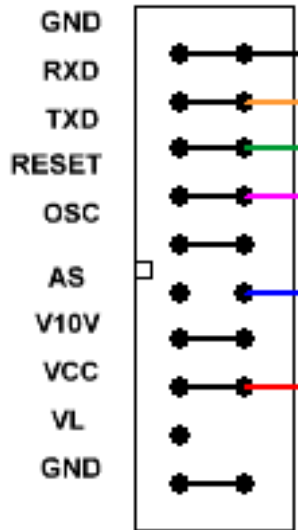


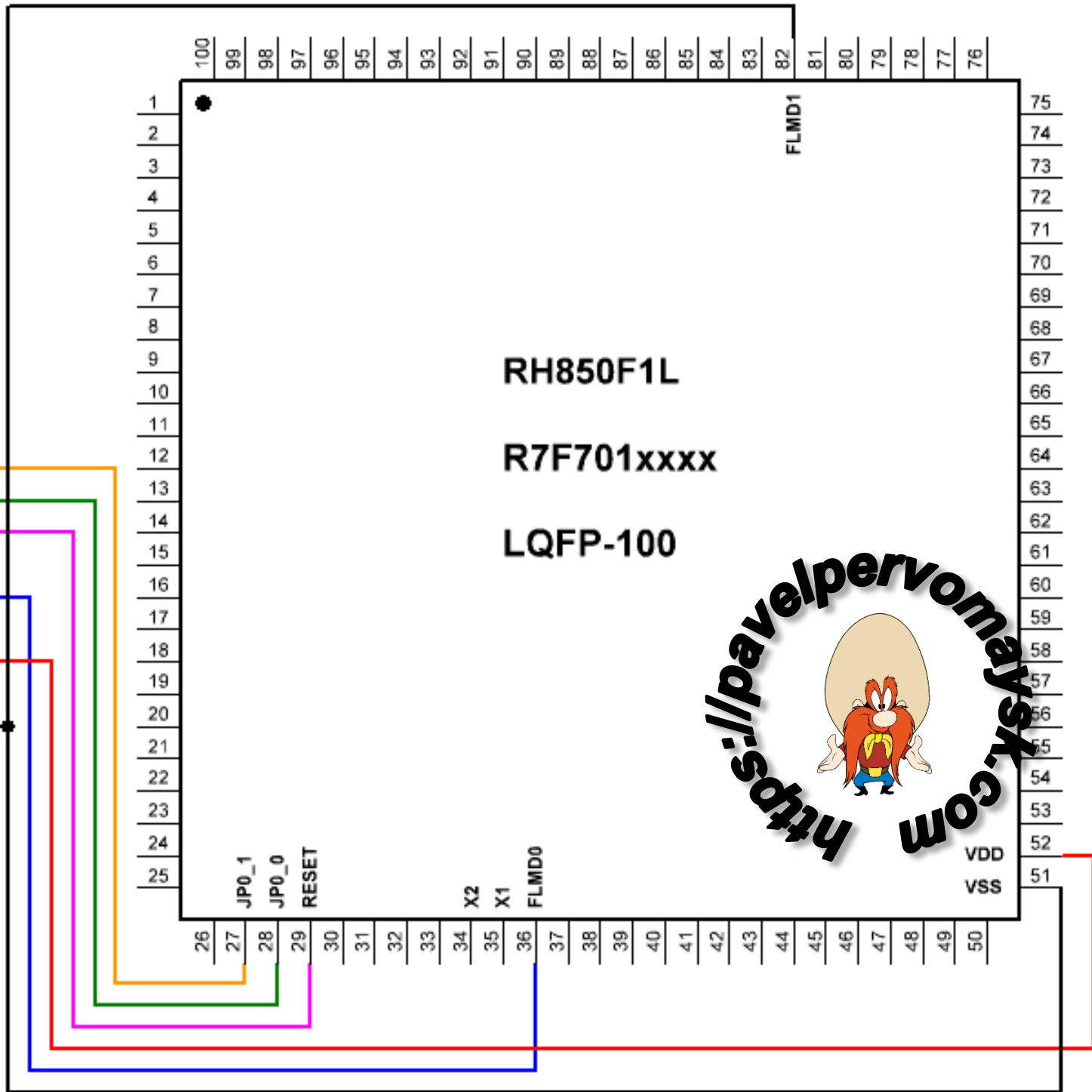
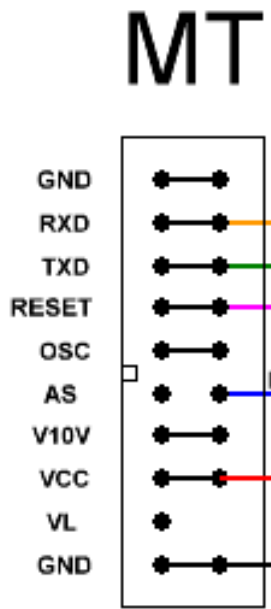
MT

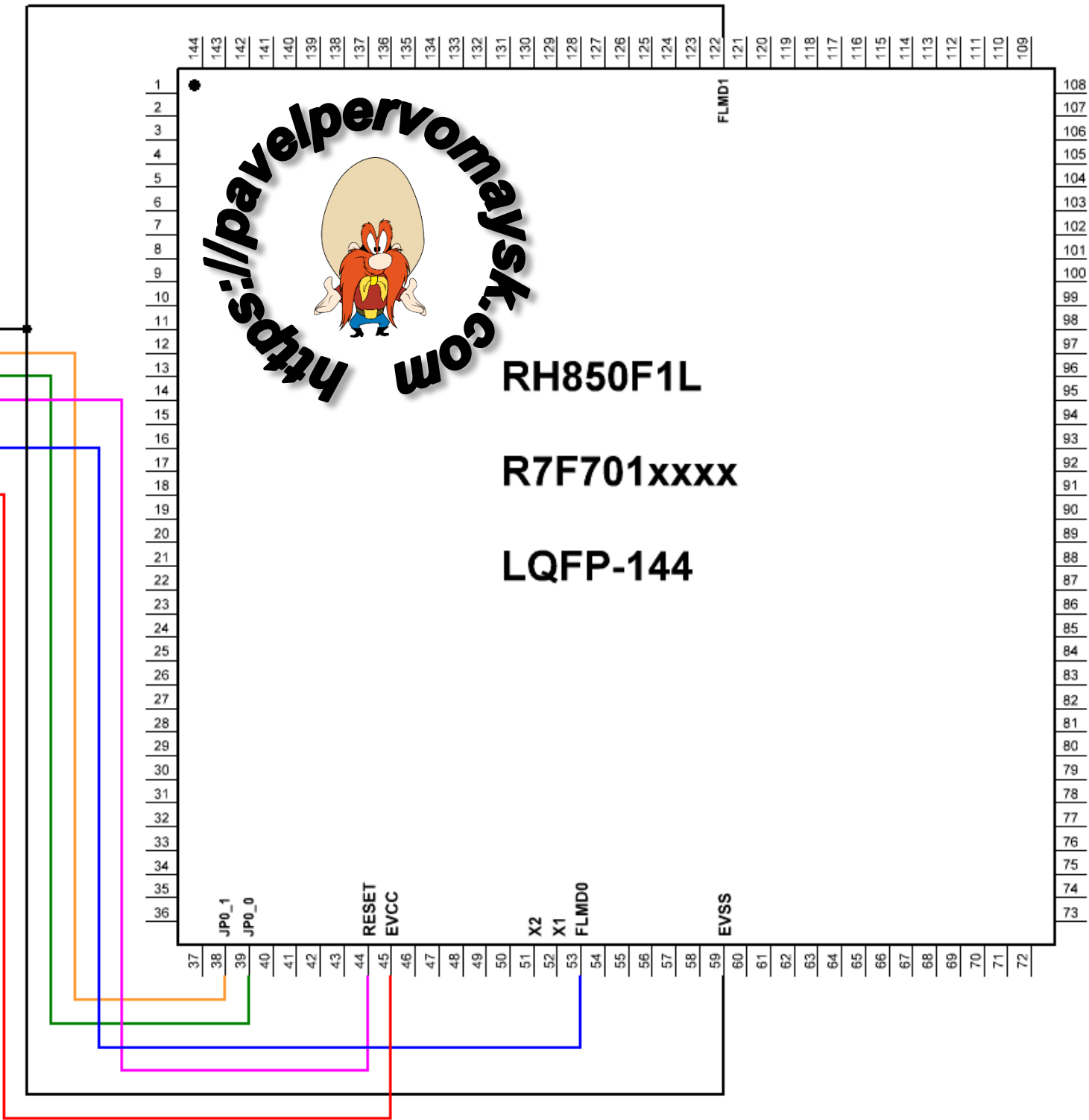
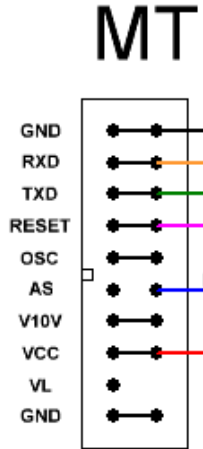


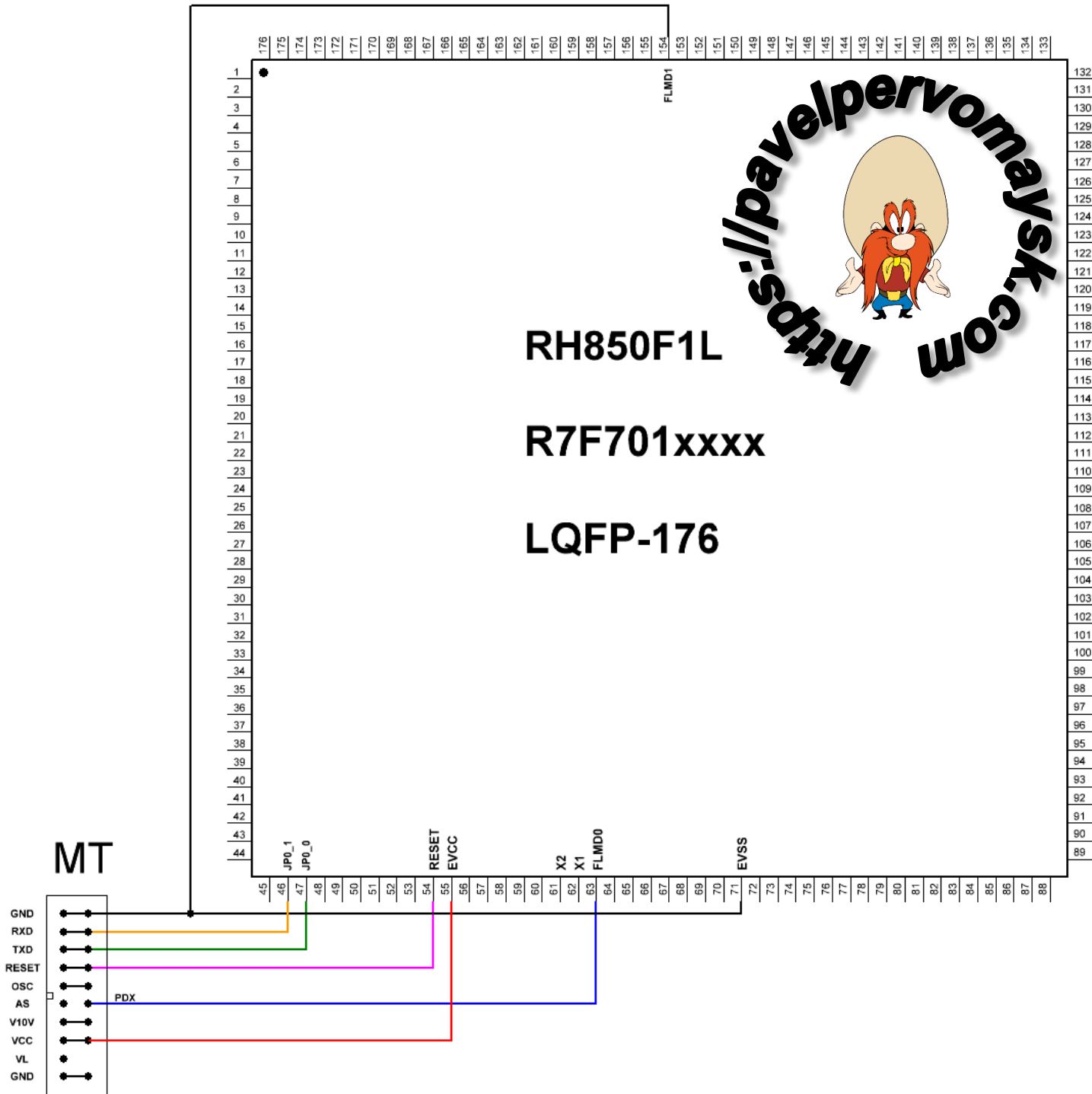


MT









RH850F1L

R7F701xxxx

LQFP-176

